

Digital input module

DI

M3-16C

32 sinking inputs (+5 VDC)

- ▶ Wide input hysteresis voltage for solid switch points
- ▶ Individual channel status LEDs
- ▶ Optically isolated

General specifications

Inputs per module	32
Input type	VDC sinking
Connection	Removable terminal block
Connection type	Tension clamp
Terminal block part number	069-621010
Terminal wire size (UL 1059)	18 - 22 AWG
Test point	All connections
Status indicator	One LED per channel
Module size	1 rack slot (0.75"/19 mm)
Isolation rating	500 VDC
Operating temperature	
Horizontal installation	0 - 50°C
Vertical installation	0 - 45°C
Storage temperature	-25 - 85°C
Humidity	5 - 95% non-condensing



Minimum hardware revision	A, B
Minimum firmware revision	1.02
Minimum operating system revision	5.00.90
Documentation number: 950-531603-000	

Digital input module

DI

M3-16C

Performance specifications

Parameter	Value
Input voltage (VS)	4.5 – 5.5 VDC
Max voltage	32 VDC
Nominal voltage (VN)	5 VDC
Turn ON threshold	4.0 VDC
Turn OFF threshold	1.0 VDC
Min hysteresis voltage	2.5 VDC
Min input current	5.5 mA @ 0 VDC
Input resistance to VDC RTN	1 K Ω \pm 10%
Min ON current	5.4 mA
Max OFF current	1.1 mA
Hardware filter	< 1 msec

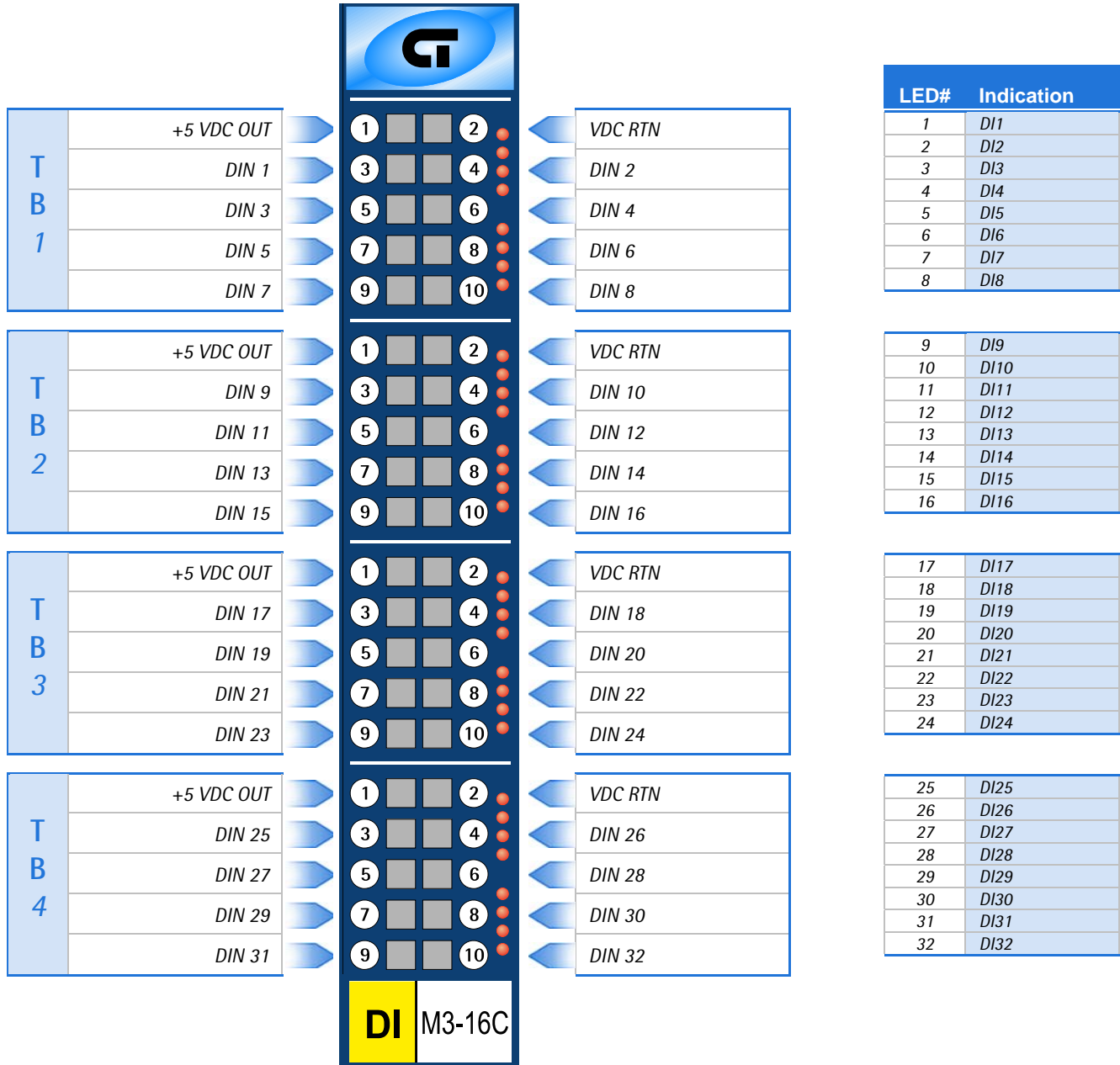
Digital input module

DI

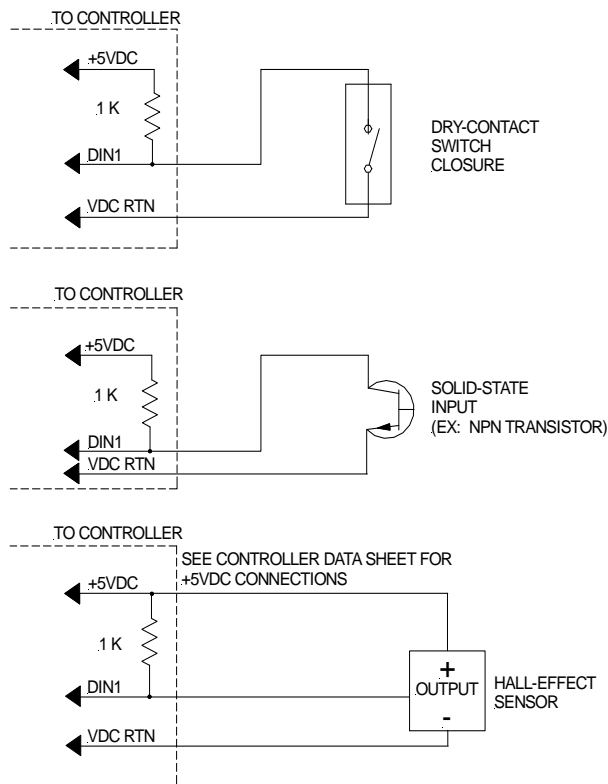
M3-16C

32 sinking inputs (+5 VDC)

Terminal block connections



Application information



Notes

1. When a digital device is powered via an external power source, it may be necessary to tie the ground of this power source to the controller's voltage supply ground (VDC RTN).
2. For register and programming information, refer to the appropriate controller Applications Guide.
3. The information and illustrations contained herein are the property of Control Technology Corporation and are subject to change without notice. Data based on $V_S = 24 \text{ VDC} @ 25^\circ\text{C}$ unless otherwise noted. For additional information and/or updates, visit www.ctc-control.com. Copyright © 2007 Control Technology Corporation. All Rights Reserved.